



Washer extractor

W585N

Features and benefits

- **Compass Pro® microprocessor offers:**
 - Large display and one control knob for easy program selection
 - Language selection
 - Quick selection and option buttons for the most frequently used wash programs and options
 - Wash program packages optimized on *Economy, Performance and Time*. (Available on general programs)
- Extremely low water and energy consumption – see table below
- Four compartment detergent box for manual dosing of powder or liquid detergent
- High extraction force for efficient dewatering
- Door with gasket and strong hinges built for heavy duty operation
- Stainless and galvanized steel in all vital parts for high degree of rust protection
- SuperBalance guarantees the correct extraction force



Images shown are a representation of the product only and variations may occur.

Main options

- Automatic liquid detergent supply (optional I/O board)
- Stainless steel front panel
- Connection to booking- /payment- system or coin meter
- Drain pump

Main specifications				W585N			
Max. capacity	filling factor 1:9	kg/lb		9/20			
Drum,	volume	litre		85			
	diameter	ø mm		520			
Extraction		rpm		587			
G-factor				100			
Standard heating alternatives		electricity	kW	5.4 / 7.5			
Low energy heating alternatives		electricity	kW	2.0 / 3.0			
		steam		X			
		non-heated		X			
Consumption data "Normal 60°C"				EI		Steam**	
Economy*				Full load, 9 kg	Half load, 4.5 kg	Full load, 9 kg	Half load, 4.5 kg
Total time		min		45	43	45	43
Water consumption (cold+hot)		litre		56+16	39+10	56+16	39+10
Energy consumption (motor/heating***)		kWh		0.1/1.45	0.1/0.95	0.1/-	0.1/-
Steam consumption		kg		-	-	2.2	1.45
Residual moisture		%		69	78	69	78

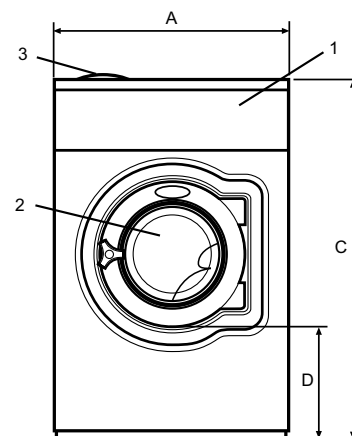
* Water temperature 15°C cold water and 65°C hot water.
 ** Depending on steam pressure.
 *** Includes hot water heating.



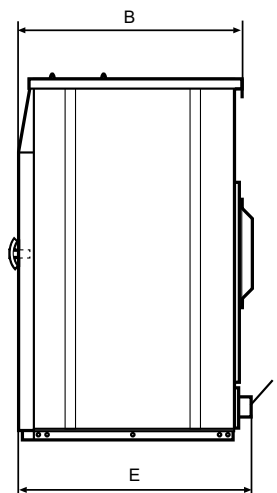
Electrical connections

Heating alternative	Main voltage		Heating power kW	Total power kW	Recommended fuse A
		Hz			
Electric heated	220-240V 1 ~	50/60	5.4/7.5	5.7/7.8	25/35
	220-240V 1 ~	50/60	2.0/3.0	2.3/3.3	16
	220-240V 3 ~	50/60	5.4/7.5	5.7/7.8	16/25
	380-415V 3N ~	50/60	5.4/7.5	5.7/7.8	10/16
	440V 3 ~	60	7.5	7.8	16
	480V 3 ~	60	7.5	7.8	16
Steam or Non heated	220-480V 1/3 ~	50/60	-	0.4	10

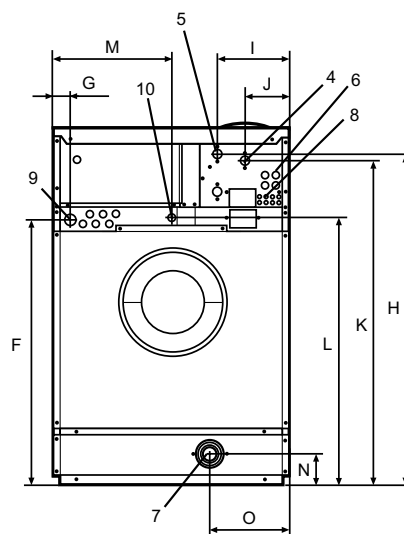
Water and steam connection		W585N	
Water valves	DN	20	
Water pressure	kPa	200-600	
Capacity at 300 kPa	l/min	20	
Drain valve	ø mm	75	
Draining capacity	l/min	170	
Steam valve	DN	15	
Steam pressure	kPa	300-600	
Liquid detergent supplies		5	
Floor requirements			
Frequency of the dynamic force	Hz	9.3	
Floor load at max extraction	kN	1.7 ± 3.1	
Sound levels			
Sound power level (IEC 60704-2-4)			
wash	dB(A)	64	
extraction	dB(A)	69	
Heat emission			
% of installed power, max		5	
Shipping data			
Weight	net, kg	135	
	crated, kg	156	
Shipping volume	m ³	0.74	
Accessories			
Steel base		x	
Hose kits for water or steam		x	
Fluff collector		x	
Dimensions in mm			
A	Width	660	
B	Depth	730	
C	Height	1115	
D		355	
E		765	
F		825	
G		45	
H		1030	
I		215	
J		130	
K		1010	
L		830	
M		385	
N		100	
O		225	
1	Operating panel	6	Water re-use
2	Door opening ø 310 mm	7	Drain
3	Detergent box	8	Liquid detergent supply
4	Cold water	9	Electrical connection
5	Hot water	10	Steam connection



Front



Side view



Rear

Front and side panels in light grey and blue (RAL 260 70 05, 250 60 30)

* Other voltages available, see installation manual