



Washer extractor

W575N

Features and benefits

- **Compass Pro® microprocessor offers:**
 - Large display and one control knob for easy program selection
 - Language selection
 - Quick selection and option buttons for the most frequently used wash programs and options
 - Wash program packages optimized on *Economy, Performance and Time*. (Available on general programs)
- Extremely low water and energy consumption – see table below
- Four compartment detergent box for manual dosing of powder or liquid detergent
- High extraction force for efficient dewatering
- Door with gasket and strong hinges built for heavy duty operation
- Stainless and galvanized steel in all vital parts for high degree of rust protection
- SuperBalance guarantees the correct extraction force

Main options

- Automatic liquid detergent supply (optional I/O board)
- Stainless steel front panel
- Connection to booking- /payment- system or coin meter
- Drain pump



Images shown are a representation of the product only and variations may occur.

Main specifications				W575N			
Max. capacity	filling factor 1:9	kg/lb		8/18			
Drum,	volume	litre		75			
	diameter	ø mm		520			
Extraction		rpm		587			
G-factor				100			
Standard heating alternatives	electricity	kW		5.4 / 7.5			
Low energy heating alternatives	electricity	kW		2.0 / 3.0			
	steam			x			
	non-heated			x			
Consumption data "Normal 60°C"				EI		Steam**	
Economy*				Full load, 8 kg	Half load, 4 kg	Full load, 8 kg	Half load, 4 kg
Total time	min		44	42	44	42	
Water consumption (cold+hot)	litre		47+13	37+8	47+13	37+8	
Energy consumption (motor/heating***)	kWh		0.1/1.15	0.1/0.7	0.1/-	0.1/-	
Steam consumption	kg		-	-	1.75	1.05	
Residual moisture	%		69	78	69	78	

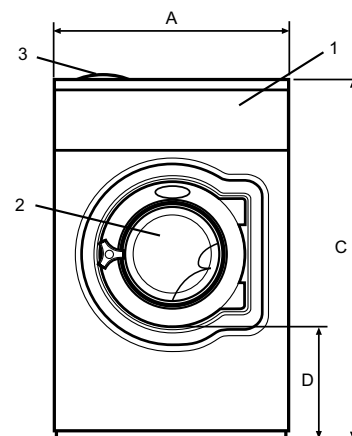
* Water temperature 15°C cold water and 65°C hot water.

** Depending on steam pressure.

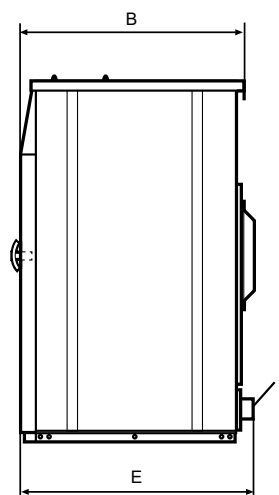
*** Includes hot water heating.



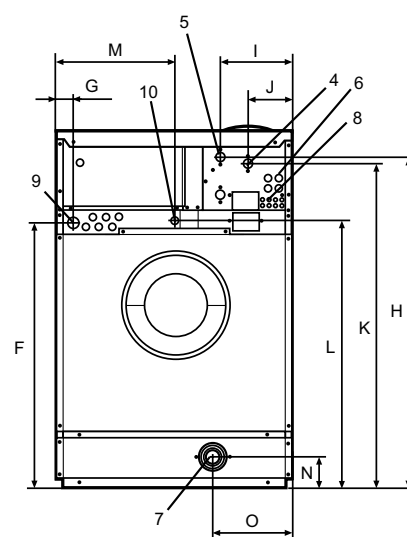
Electrical connections					
Heating alternative	Main voltage		Heating power kW	Total power kW	Recommended fuse A
		Hz			
Electric heated	220-240V 1 ~	50/60	5.4/7.5	5.7/7.8	25/35
	220-240V 1 ~	50/60	2.0/3.0	2.3/3.3	16
	220-240V 3 ~	50/60	5.4/7.5	5.7/7.8	16/25
	380-415V 3N ~	50/60	5.4/7.5	5.7/7.8	10/16
	440V 3 ~	60	7.5	7.8	16
	480V 3 ~	60	7.5	7.8	16
Steam or Non heated	220-480V 1/3 ~	50/60	-	0.4	10



Front



Side view



Rear

Water and steam connection		W575N
Water valves	DN	20
Water pressure	kPa	200-600
Capacity at 300 kPa	l/min	20
Drain valve	ø mm	75
Draining capacity	l/min	170
Steam valve	DN	15
Steam pressure	kPa	300-600
Liquid detergent supplies		5
Floor requirements		
Frequency of the dynamic force	Hz	9.8
Floor load at max extraction	kN	1.6 ± 1.9
Sound levels		
Sound power level (IEC 60704-2-4)		
wash	dB(A)	65
extraction	dB(A)	69
Heat emission		
% of installed power, max		5
Shipping data		
Weight	net, kg	129
	crated, kg	150
Shipping volume	m ³	0.74
Accessories		
Steel base		x
Hose kits for water or steam		x
Fluff collector		x
Dimensions in mm		
A	Width	660
B	Depth	690
C	Height	1115
D		355
E		725
F		825
G		45
H		1030
I		215
J		130
K		1010
L		830
M		385
N		100
O		225
1	Operating panel	6
2	Door opening ø 310 mm	7
3	Detergent box	8
4	Cold water	9
5	Hot water	10
6	Water re-use	
7	Drain	
8	Liquid detergent supply	
9	Electrical connection	
10	Steam connection	

Front and side panels in light grey and blue (RAL 260 70 05, 250 60 30)

* Other voltages available, see installation manual