



Washer extractor

W5330N

Features and benefits

- **Compass Pro® microprocessor offers:**
 - Large display and one control knob for easy program selection
 - Language selection
 - Quick selection and option buttons for the most frequently used wash programs and options
 - Wash program packages optimized on *Economy, Performance and Time*. (Available on general programs)
- Extremely low water and energy consumption – see table below
- Four compartment detergent box for manual dosing of powder or liquid detergent
- High extraction force for efficient dewatering
- Door with gasket and strong hinges built for heavy duty operation
- Stainless and galvanized steel in all vital parts for high degree of rust protection
- SuperBalance guarantees the correct extraction force

Main options

- Automatic liquid detergent supply (optional I/O board)
- Stainless steel front panel
- Connection to booking- /payment- system or coin meter
- Drain pump



Images shown are a representation of the product only and variations may occur.

Main specifications				W5330N			
Max. capacity	filling factor 1:9	kg/lb		35/75			
Drum,	volume	litre		330			
	diameter	ø mm		795			
Extraction		rpm		474			
G-factor				100			
Standard heating alternatives		electricity	kW	19.1 / 19.8 / 23.0			
		steam		x			
		non-heated		x			
Consumption data "Normal 60°C"				EI		Steam**	
Economy*				Full load, 35 kg	Half load, 17.5 kg	Full load, 35 kg	Half load, 17.5 kg
Total time		min		51	48	51	48
Water consumption (cold+hot)		litre		210+57	167+36	210+57	167+36
Energy consumption (motor/heating***)		kWh		0.4/5.3	0.4/3.35	0.4/-	0.4/-
Steam consumption		kg		-	-	7.95	5.05
Residual moisture		%		69	78	69	78
* Water temperature 15°C cold water and 65°C hot water.							
** Depending on steam pressure.							
*** Includes hot water heating.							

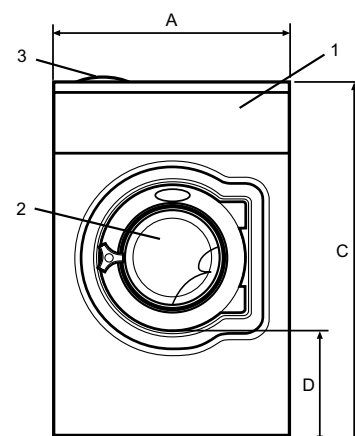


Electrical connections					
Heating alternative	Main voltage		Heating power kW	Total power kW	Recommended fuse A
		Hz			
Electric heated	220-240V 3 ~	50/60	23.0	24.2	63
	380-415V 3 ~	50/60	23.0	24.2	50
	440V 3 ~	60	23.0	24.1	50
	480V 3 ~	60	23.0	24.1	50
	220-230V 3 ~	50/60	19.1	20.3	63
	240V 3 ~	50/60	19.8	21.0	63
	380-400V 3 ~	50/60	19.1	20.3	50
	415V 3 ~	50/60	19.8	21.0	50
	Steam or Non heated	220-480V 1/3 ~	50/60	-	1.4

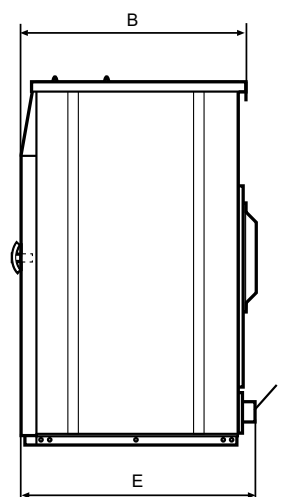
Water and steam connection		W5330N	
Water valves	DN	20	
Water pressure	kPa	200-600	
Capacity at 300 kPa	l/min	60	
Drain valve	ø mm	75	
Draining capacity	l/min	170	
Steam valve	DN	15	
Steam pressure	kPa	300-600	
Liquid detergent supplies		5	
Floor requirements			
Frequency of the dynamic force	Hz	7.9	
Floor load at max extraction	kN	4.6 ± 5.6	
Sound levels			
Sound power level (IEC 60704-2-4)			
wash	dB(A)	68	
extraction	dB(A)	74	
Heat emission			
% of installed power, max		5	
Shipping data			
Weight	net, kg	306	
	crated, kg	326	
Shipping volume	m ³	1.83	
Accessories			
Steel base		x	
Hose kits for water or steam		x	
Fluff collector		x	
Dimensions in mm			
A	Width	910	
B	Depth	1040	
C	Height	1445	
D		500	
E		1075	
F		1155	
G		45	
H		1365	
I		325	
J		245	
K		1325	
L		1155	
M		280	
N		100	
O		210	
P		160	
1	Operating panel	6	Water re-use
2	Door opening ø 435 mm	7	Drain
3	Detergent box	8	Liquid detergent supply
4	Cold water	9	Electrical connection
5	Hot water	10	Steam connection

Front and side panels in light grey and blue (RAL 260 70 05, 250 60 30)

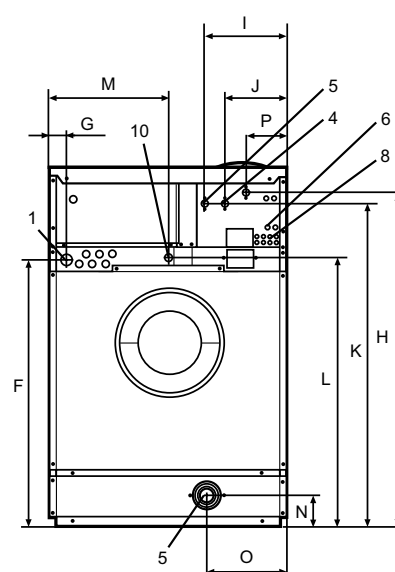
* Other voltages available, see installation manual



Front



Side view



Rear