



Washer extractor

W5300H

Features and benefits

- **Compass Pro® microprocessor offers:**
 - Large display and one control knob for easy program selection
 - Language selection
 - Quick selection and option buttons for the most frequently used wash programs and options
 - Wash program packages optimized on *Economy, Performance and Time*. (Available on general programs)
- **AS – Automatic Savings:**
 - The machine weighs the linen and adjusts the amount of water and energy according to the load. This leads to considerable savings in case the machine is not fully loaded. (Available on general programs)
- Extremely low water and energy consumption – see table below
- Four compartment detergent box for manual dosing of powder or liquid detergent
- High extraction force for efficient dewatering
- Door with gasket and strong hinges built for heavy duty operation
- Stainless and galvanized steel in all vital parts for high degree of rust protection
- **PowerBalance:**
 - Maximises the extraction force
 - Less stress on the machine
 - Reduces vibrations



Images shown are a representation of the product only and variations may occur.

Main options

- Automatic liquid detergent supply (optional I/O board)
- Stainless steel front panel
- Connection to booking- /payment- system or coin meter
- Drain pump

Main specifications				W5300H			
Max. capacity	filling factor 1:9	kg/lb		33/75			
Drum,	volume	litre		300			
	diameter	ø mm		795			
Extraction		rpm		950			
G-factor				400			
Standard heating alternatives	electricity	kW		19.1 / 19.8 / 23.0			
		steam		x			
		non-heated		x			
Consumption data "Normal 60°C"				EI		Steam***	
Economy*				Full load, 33 kg	Half load**, 16.5 kg	Full load, 33 kg	Half load**, 16.5 kg
Total time		min	49	45	49	45	
Water consumption (cold+hot)		litre	211+51	97+25	211+51	97+25	
Energy consumption (motor/heating****)		kWh	0.6/4.6	0.55/2.25	0.6/-	0.15/-	
Steam consumption		kg	-	-	6.9	3.375	
Residual moisture		%	48	49	48	49	
<small>* Water temperature 15°C cold water and 65°C hot water. ** Programs with AS. *** Depending on steam pressure. **** Includes hot water heating.</small>							



Electrical connections					
Heating alternative	Main voltage		Heating power kW	Total power kW	Recommended fuse A
		Hz			
Electric heated	220-240V 3 ~	50/60	23.0	23.5	63
	380-415V 3 ~	50/60	23.0	23.5	35
	440V 3 ~	60	23.0	23.5	35
	480V 3 ~	60	23.0	23.5	35
	220-230V 3 ~	50/60	19.1	19.4	50
	240V 3 ~	50/60	19.8	20.1	50
	380-400V 3 ~	50/60	19.1	19.7	35
	415V 3 ~	50/60	19.8	20.2	35
Steam or Non heated	220-480V 1/3 ~	50/60	-	2.2	10

Water and steam connection		W5300H
Water valves	DN	20
Water pressure	kPa	150-400
Capacity at 300 kPa	l/min	60
Drain valve	ø mm	75
Draining capacity	l/min	170
Steam valve	DN	15
Steam pressure	kPa	300-600
Liquid detergent supplies		5

Floor requirements		
Frequency of the dynamic force	Hz	15.8
Floor load at max extraction	kN	6.2 ± 1.3

Sound levels		
Sound power level (IEC 60704-2-4)		
wash	dB(A)	67
extraction	dB(A)	84

Heat emission	
% of installed power, max	5

Shipping data		
Weight	net, kg	509
	crated, kg	575
Shipping volume	m ³	2.1

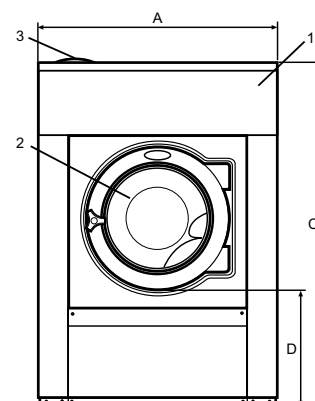
Accessories		
Steel base		x
Hose kits for water or steam		x
Fluff collector		x

Dimensions in mm	
A Width	1020
B Depth	1060
C Height	1445
D	500
E	1135
F	1155
G	100
H	1360
I	215
J	300
K	1320
L	-
M	330
N	100
O	360
P	380

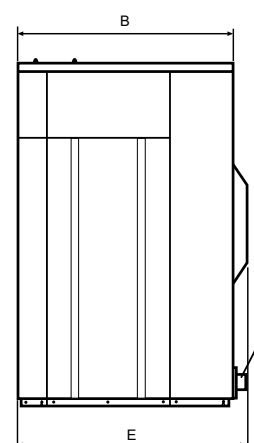
1 Operating panel	6 -
2 Door opening ø 435 mm	7 Drain
3 Detergent box	8 Liquid detergent supply
4 Cold water	9 Electrical connection
5 Hot water	10 Steam connection

Front and side panels in light grey and blue (RAL 260 70 05, 250 60 30)

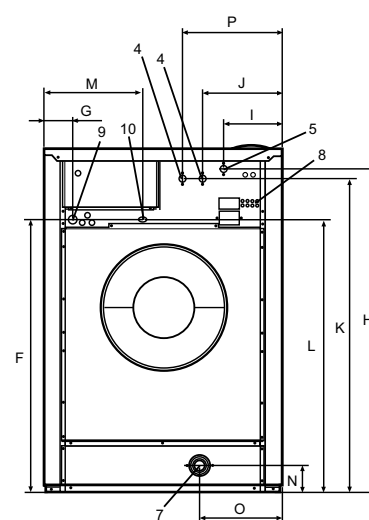
* Other voltages available, see installation manual



Front



Side view



Rear