



Tumble dryer

T5190

Features and benefits

- **Compass Pro® microprocessor offers:**
 - Large display and one control knob for easy program selection
 - Language selection
 - Quick selection and option buttons for the most frequently used drying programs and options
 - Drying program packages optimized for Economy, Care and Time and option buttons for selection of dryness
 - Service program for adjustment of parameters
 - USB connection
- High productivity – 2 full loads per hour
- Low energy consumption for optimal efficiency
- Reversible door hanging for a convenient laundry flow
- Easy access to vital parts from front and rear for simple servicing
- The coin version with Ecopower to avoid over drying of the garments and get a lower energy consumption

Main options

- Residual Moisture Control for an accurate drying result and a low energy consumption
- Reversing drum for less tangling of large items
- Stainless steel front
- Stainless steel drum
- Payment: coinmeter with Ecopower, chipcard reader, CP connection
- Stainless steel base frame
- Separate condense system
- Fresh air intake



Images shown are a representation of the product only and variations may occur.

Main specifications		T5190			
Rated capacity, filling factor 1:18	kg/lb	10.6/23			
	filling factor 1:22	8.6/19			
Drum volume	litre	190			
Drum diameter	mm	680			
Heating,	electric	6/8			
	gas	20500/27300 (6/8)			
Consumption data*		6 kW	8 kW	Gas 6 kW	Gas 8 kW
Total time full load	min	35	27	36	29
Energy consumption full load	kWh	3.45	3.53	3.67	3.74
Evaporation	g/min	102	129	106	131
Energy kWh/litre water evaporated	kWh/l	0.92	0.94	-	-

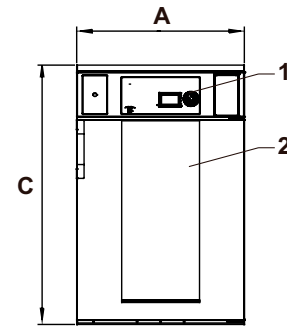
* At rated capacity 100% cotton load at 50% initial moisture dried to 0%.



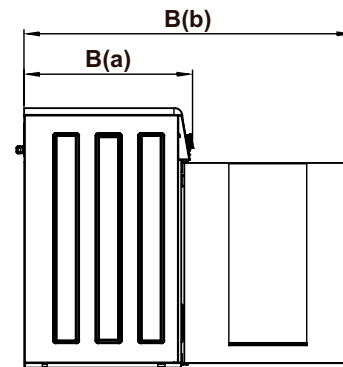
Electrical connections*					
Heating alternative	Main voltage		Heating power kW	Total power kW	Recommended fuse A
	Hz				
Electric heated	???				
Gas heated					

Gas and air connections			T5190
Gas		ISO 7/1-R	1/2"
Gas pressure	Natural gas	Pa	2000
		mbar	20
	Propane	Pa	2800-5000
		mbar	30
Air outlet		ø mm	125
Evacuated air	6 kW	m³/h	270
	8 kW		290
Pressure drop	6 kW	Max. Pa	380
	8 kW		350
Sound levels			
Airborne sound level		dB(A)	68
Heat emission			
% of installed power, max			15
Shipping data			
Weight		net, kg	103
		crated, kg	114
Shipping volume		m³	0.8
Dimensions in mm			
A	Width		720
B(a)	Depth		724
B(b)	Depth		1408
C	Height		1114
D			552
E			79
F			935
G			45
1	Operating panel		
2	Door opening ø 400 mm		
3	Electrical connection		
4	Gas connection		
5	Exhaust connection		

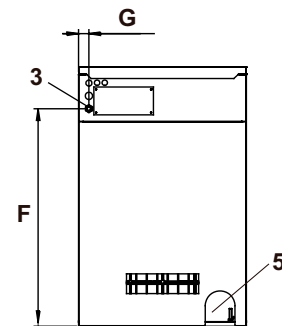
* Other voltages available, see installation manual.



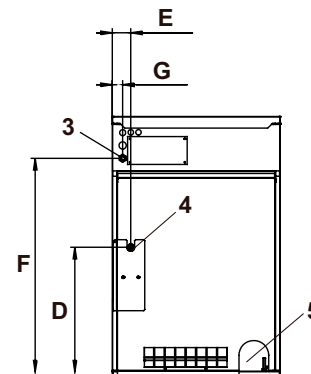
Front



Side view



Rear



Rear