

Wetcleaning Ironing Tables

FIT1-WC, FIT2-WC



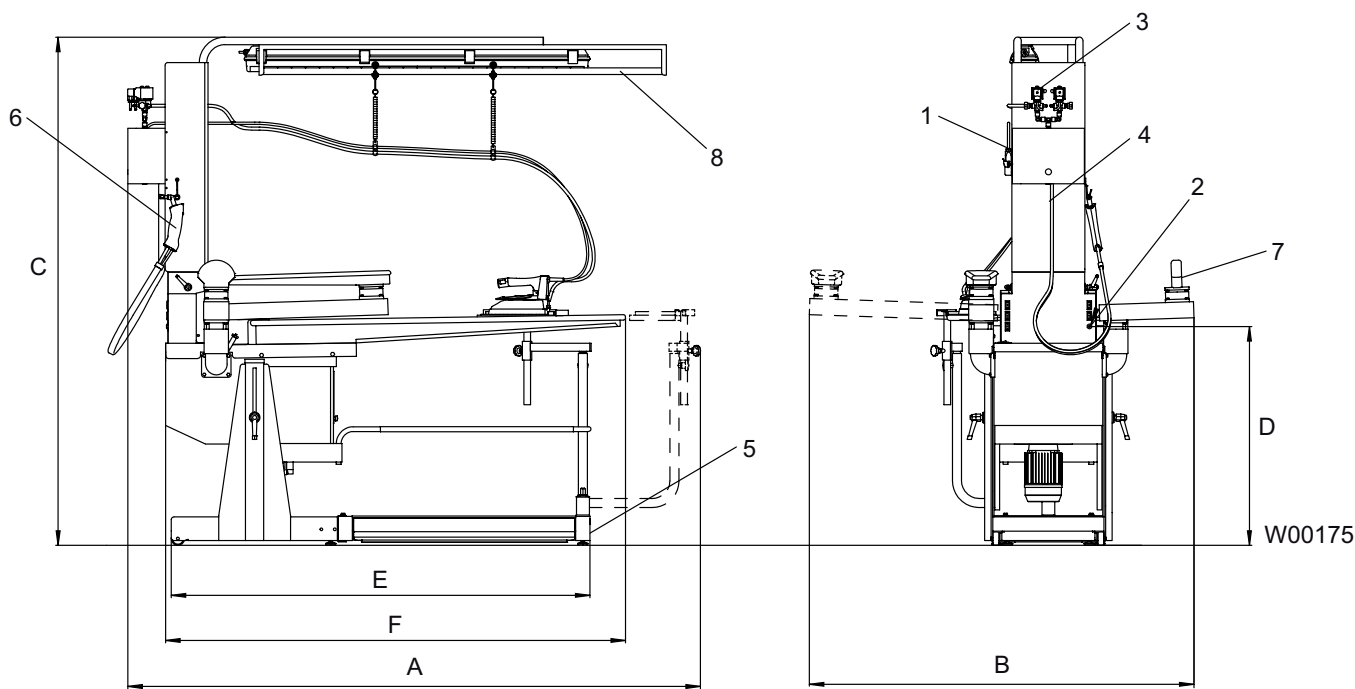
Features and benefits

- Utility shape, for general purpose
- Integral vacuum fan holds the garment in place and dries the fabric
- Blowing from table eases finishing of light weight fabric and linings
- Table height adjustment ensures operator comfort
- Adjustment of blowing and vacuum strength
- Mobile, eases re-location
- Steam electric iron with Teflon shoe and silicon iron rest
- Steam gun for raising the nap of some fabrics
- Sleeve arm for ironing awkward shapes
- Shoulder buck for restoring the shape of washed jackets
- Overhead gantry to support iron hoses
- Light, illuminates the working area
- Swivelling iron rest for operator convenience
- Additional pedals (vac/blow) for dual side operation (for FIT1-WC)

Main options

- Integral steam boiler for self-contained installation (standard for FIT2-WC)
- Spotting arm eases the removal of stains (in alternative to the shoulder buck)

Electrical connections		FIT1-WC	FIT2-WC
Voltage			
400V 3N AC 50Hz	kW	2	6
208V-240V 3AC 60Hz	kW	2	-
Steam connection			
Steam	DN	8	-
Rec. steam pressure	kPa	300-500	-
Steam consumption	kg/h	3	-
Condensate	DN	8	-
Shipping data			
	net, kg	130	170
	crated, kg	150	190
Dimensions in mm			
A	Width	2135	2220
B	Depth	1435	1435
C	Height	1900-2080	1900-2080
D		815-995	815-995
E		1560	1560
F		1715	1855
1 Control panel		5 Pedals	
2 Electrical connection		6 Steam gun	
3 Steam connection		7 Shoulder buck	
4 Condensate		8 Overhead lamp	



 **Electrolux**

www.electrolux.com/professional

Share more of our thinking at www.electrolux.com