

SPACE SAVER LINT FILTERS



**Largest Inlets
Accommodates
newest Dryers
with larger ducts**

**Fiberglass
Or
Stainless
Construction**

**Non-Corrosive
Components
No Mild Steel!**

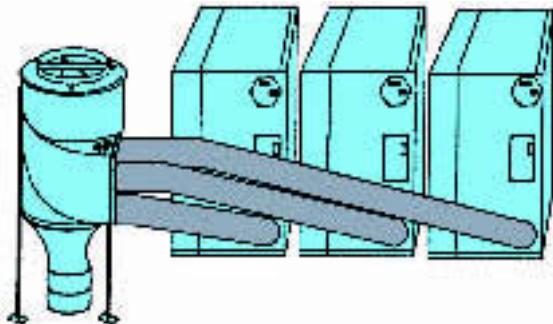
**Smallest
Footprint
per cfm**

**24V Control
Meets all
codes safest
electrically**

**Large Maxi-Seal
Inspection Door**

**30% Thicker
Fiberglass Body**

**Ultra Smooth
Interior**



FRP-15

(shown with optional pre-plumb/mounted control
and inlet collars)



FILTER OPERATING CYCLE

- Dryer backpressure is continually monitored by a pressure transducer without any dryer interconnection.
- When the backpressure reaches a level set by the user the lint filter automatically blows clean with compressed air.
- When the filter control determines a complete absence of backpressure indicating all dryers are off, the filter will blow down for maximum cleaning.

Control:

24V Solid State Pressure Transducer
operated control

Power:

110V to transformer supplies by Energenics

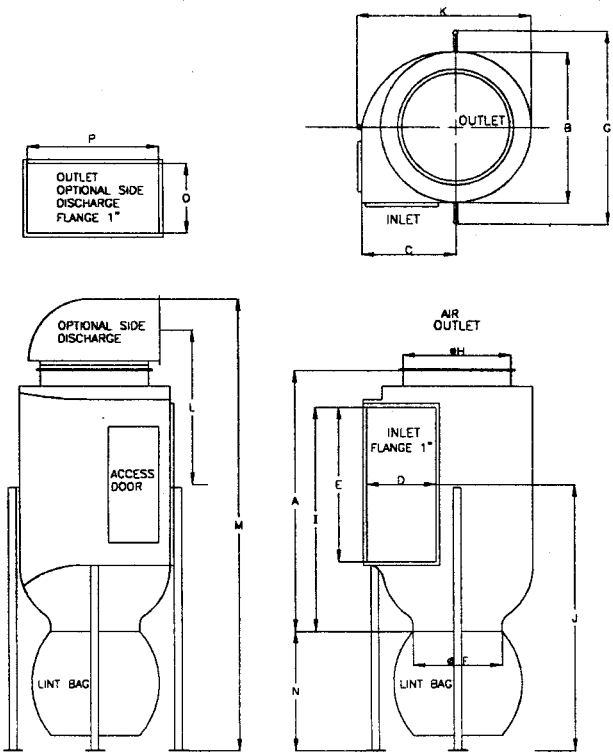
REQUIRED:

Compressed air:

100 psi for six seconds, 30-40 cubic ft.
3/4 inch air line and valves under 6,000 CFM
1 inch air line and valves over 6,000 CFM

DIMENSIONS

Model #	S-4	FRP-6	S-6	FRP-8	FRP-10	S-10	FRP-15	S-15	FRP-20	S-20	FRP-25	S-25	FRP-30	S-30
CFM	4,000	6,000	6,000	8,000	10,000	10,000	15,000	15,000	20,000	20,000	25,000	25,000	30,000	30,000
Screen Area Sq. Feet	18	20	20	40	36	30	40	37	49	51	86	86	96	96
Oper. Wt. Lbs.	130	180	300	200	170	370	210	410	450	750	475	750	475	775
Ship Wt. Lbs.	160	220	350	260	280	400	350	490	530	850	555	875	585	895
A	52.0	54.0	52.0	94.5	67.0	59.0	63.0	61.0	80.0	75.0	88.0	88.0	88.0	88.0
B	27.0	32.0	30.0	30.0	44.0	40.0	52.0	48.0	56.0	56.0	84.0	84.0	84.0	84.0
C	15.0	22.0	22.0	18.0	30.0	29.0	39.0	33.0	46.0	40.0	45.0	45.0	45.0	45.0
D	12.0	20.0	12.0	12.0	24.0	16.0	32.0	24.0	36.0	24.0	48.0	48.0	48.0	48.0
E	30.0	30.0	36.0	56.0	40.0	46.0	40.0	46.0	50.0	58.0	56.0	56.0	56.0	56.0
F	27.0	27.0	30.0	27.0	23.0	20.0	29.5	24.0	24.0	24.0	30.0	30.0	30.0	30.0
G	30.0	35.0	35.0	34.0	50.0	46.0	58.0	52.5	64.0	64.0	94.0	94.0	94.0	94.0
H	16.0	20.0	20.0	26.0	28.0	28.0	30.0	30.0	34.0	34.0	48.0	48.0	48.0	48.0
I	42.0	35.0	42.0	62.0	57.0	53.5	52.0	56.0	72.0	70.0	70.0	70.0	70.0	70.0
J	51.0	44.0	48.0	36.0	61.0	54.5	56.0	57.0	52.0	65.0	65.0	65.0	65.0	65.0
K	28.0	38.0	37.0	33.0	48.0	49.0	52.0	57.0	67.0	68.0	94.0	94.0	94.0	94.0
L	34.0	43.0	37.0	69.0	40.0	38.5	41.0	38.0	51.0	48.0	61.0	61.0	61.0	61.0
M	92.0	94.0	92.0	134.0	109.0	101.0	105.0	103.0	131.0	125.0	140.0	140.0	140.0	140.0
N	24.0	24.0	24.0	24.0	24.0	24.0	24.0	24.0	24.0	24.0	24.0	24.0	24.0	24.0
O	14.0	14.0	14.0	14.0	16.0	16.0	16.0	16.0	24.0	24.0	28.0	28.0	28.0	28.0
P	24.0	24.0	24.0	30.0	39.0	39.0	40.0	40.0	48.0	48.0	60.0	60.0	60.0	60.0



ENERGENICS SUPPLIES

UL approved 24V transformer
24V Solid State Control
24V solenoid valves
legs or ceiling mounting brackets
lint bag

INSTALLER SUPPLIES

Ducts to and from lint filter
Mounts and installs controls
Air and water piping / connections
Rigging and Securing

Popular Options Available

Fire Control:

Temperature sensing release of water sounds alarm and strobe for Temperatures over 360 degrees F.

Excess Pressure:

Sounds alarm if pressure exceeds the dryer specification. Warning of possible filter problems.

Static Pressure Gauge:

Allows visual checking of compressed air supplied to the filter for blowdown.

Side Discharge:

360 degree rotating top side discharge.

Flexible Lint Tube:

Used with ceiling mount to collect lint at floor



www.energenics.com

1470 Don Street • Naples, Florida 34104-3366
Telephone 239-643-1711
Fax 239-643-6081
Customer Service 800-944-1711

Sold and Serviced By: