

SYSTEM 500

DLF Series= Dry Lint Filter

- Collects 98% of lint from dryers
- Designed for **MAXIMUM DRYER EFFICIENCY**
- Minimum maintenance & downtime
- "Quick Change" Screens
- Auto cleaning
- Accommodates single or multiple (small or large) dryers
- Choice of Fiberglass or Stainless
- Custom Capabilities
- Over-Pressure Alert
- Variable Frequency Fans

OPTIONAL FEATURES:

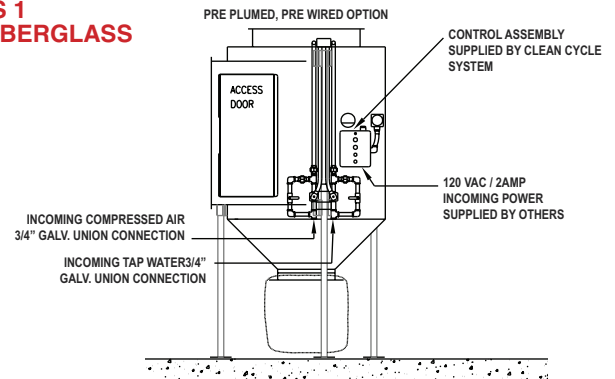
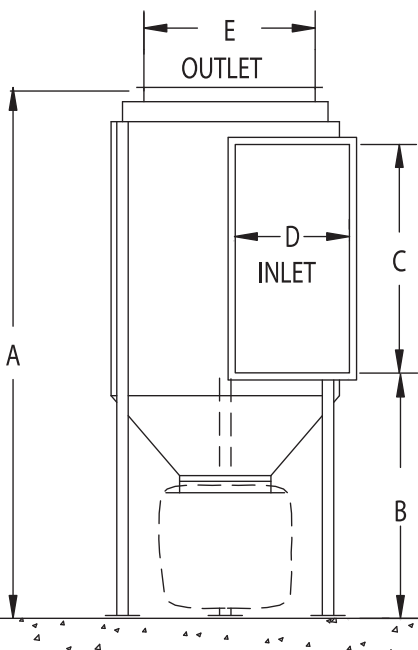
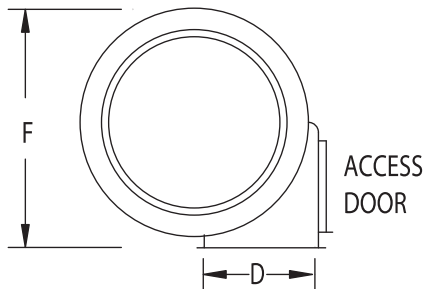
- Fire Suppression
- Horizontal Exhaust
- Assist Booster Fan
- Inlet Transitions (adapter)
- Pre-wired + Pre-plumbed
- Custom Sizes
- Air Reservoir Tanks & more - see reverse side



**FRX-CLASS 1
FIRE RETARDANT FIBERGLASS**



**TYPE 304-16 GAUGE
STAINLESS STEEL**



SYSTEM 500							
MODEL	DLF-506	DLF-510	DLF-511	DLF-515	DLF-518	DLF-522	DLF-530
CFM*	6,000	10,000	11,000	15,000	18,000	22,500	30,000
SCREEN+	22	36	37	45	54	82	102
A	81	94	84	96	96	102	114
B	39	45	41	46	46	57	53
C	30	40	28	40	40	42	50
D	20	20	30	30	30	42	50
E	24	30	30	30/36	36	48	56
F	40	46	53	53	62	86	86

** MAXIMUM CFM RATING.*

RECOMMEND OVSIZING FILTER 10-20% OVER TOTAL DRYER EXHAUST CFM.

+ FIGURES REPRESENT SCREEN AREA IN SQ. FT.

ALL DIMENSIONS NOTED ARE IN INCHES, STAINLESS STEEL MODELS MAY DIFFER

www.cleancyclesystems.com
email: ccsystems@tqind.com

PHONE: 830-401-4400 * TOLL FREE 800 826-1245 * FAX 830-401-0600

Lint Filter Options + Upgrades

DLF-500 SERIES

Please contact us to discuss your installation and to discuss the options listed below.

SYSTEM 500 models represent a design concept requiring minimum space to install while providing large area filtration. All models are tall, slim and compact; often referred to as "inline" models. The DLF-500 Series filters are all weather construction and may be mounted inside or outside, even in extreme conditions.

SYSTEM 500 models are available in either Fiberglass or Stainless Steel Body Assemblies. Choose from Seven (7) different sizes with CFM ratings ranging from 6,000 – 30,000 CFM. **SYSTEM 500** filters may be mounted individually to the dryer or one large filter connected to multiple dryers. Customization is available for special or unique situations – call us for details.

The **SYSTEM 500's Screen** area is a large a cylindrical-shaped, hi-temp PECAP or stainless steel filtration media. The screen stretches over a firmly welded steel cage. An accessible inspection door allows the screen and air wand assembly to be easily maintained. An **automatic "blowdown"** mechanism rotates on top and bottom rotors, with air jets stripping the lint blanket from the screen and allowing it to fall by gravity into a lower collection bag. An automatic pre-set timer control and solenoid valve provides periodic release of compressed air to operate the blowdown system and air jets.

CLEAN CYCLE SYSTEMS 25+ years of manufacturing filtration systems allows us to offer you complete engineering and technical assistance *assuring perfect installation every time*. Parts are readily available and ship

Choosing the Right Model

Due to varying exhaust designs, it is good practice to select a filter that is oversized by at least 15% of the dryer's rating.

Example: For a dryer installation having a combined total of 8000 CFM, a filter with 10,000 CFM capacity should be used.

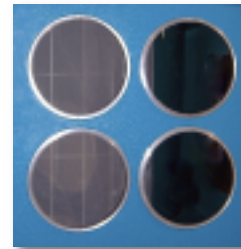
Options



OPA Overpressure Alert (switch, horn, light) -installed on unit by factory upon request



SPM Static Pressure Monitor (3" Dia. Gage)



IPS Inlet Plate with Slip Collar

Additional Options

OPA Overpressure Alert

Top/Side (Horizontal) **Outlet**

EFC Emergency Fire Control System

IPM Inlet Plate with Slip Collars custom on each order

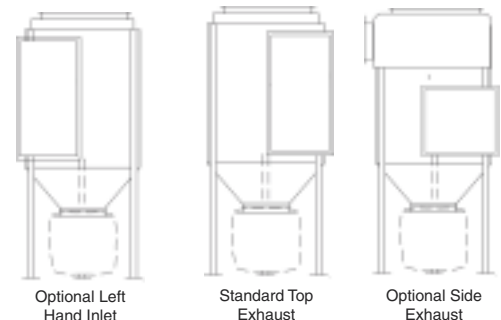
VTC 30, 60 or 80 Gallon Air Reservoir Tank (vertical with valves, gage, plugs and fittings)

PWPP Pre-wired & Pre-plumbed (control box, valves & sensors installed on unit)

BDS Barometric Damper on Side Outlet (for downstream fan)

UL Certified Control Box

Additional Side Inlet, Custom Inlet/Outlet Transition Piece



Optional Left Hand Inlet

Standard Top Exhaust

Optional Side Exhaust

Clean Cycle Systems

www.cleancyclesystems.com

email: ccsystems@tqind.com

Form# DLF09-1R

PHONE: 830-401-4400 * TOLL FREE 800 826-1245 * FAX 830-401-0600