

Tumble dryer

T4900CR, T41200CR

Features and benefits

- Contamination control tumble dryer
- High productivity
- Constant airflow over time for a process always under control
- Electropolished drum
- Side access for lint chamber cleaning
- Easy access to HEPA filter housing for quick replacement
- Stainless steel drum, outer drum, front and sides
- Reversing drum
- Large door opening for easy loading and unloading
- Static prevention system
- Fully automatic pneumatic damper in the outlet to avoid contamination
- Compass Control
 - Selection of temperature and time for easy operation
 - Pressure drop over the HEPA filter
 - Batch number key in



Main options

- Drum speed control
- Stainless steel 316 drum and outer drum
- Pre-filter housing
- CMIS

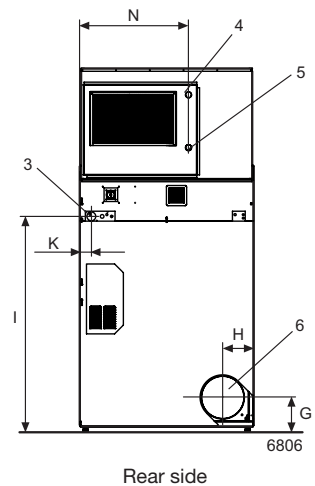
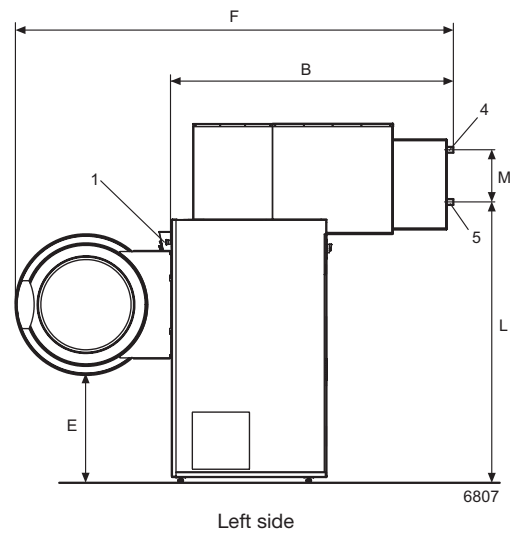
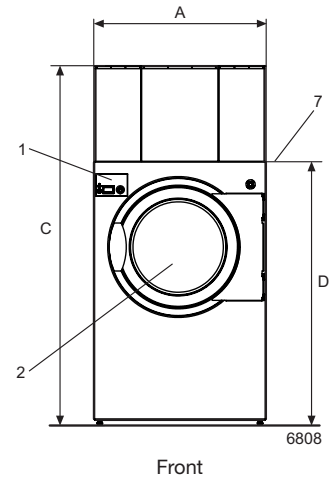
Main specifications			T4900CR		T41200CR	
Rated capacity, filling factor 1:30	kg/lb		30/60		40/90	
On top filling factor 1:20	kg/lb		45/100		60/135	
Drum volume	litre		900		1200	
Drum diameter	mm		1240		1240	
Heating alternatives						
steam	kW		72		72	
el	kW		60		72	
Consumption data*			Steam	EI	Steam	EI
Total time	min		18	16	23	20
Energy consumption	kWh		21.8	14.8	24.9	23.2
Evaporation	g/min		667	750	696	844
Energy kWh/litre water evaporated	kWh/l		1.87	1.23	1.55	1.38

* With filling factor 1:30, 100% polyester load at 42% initial moisture dried to 0%.

Certified in accordance with ISO 9001 and ISO 14001 and approved IP X4.

Electrical connections*			T4900CR	T41200CR
Heating Voltage				
EI	400-415V 3 AC 50 Hz	kW(A)	63 (100)	75 (125)
	400-480V 3 AC 60 Hz	kW(A)	63 (100)	75 (125)
Steam	200-240V 3 AC 50/60 Hz	kW(A)	3.7 (20)	3.7 (20)
	400-415V 3 AC 50 Hz	kW(A)	3.7 (16)	3.7 (16)
	400-480V 3 AC 60 Hz	kW(A)	3.7 (16)	3.7 (16)
Steam, gas and air connections				
Steam	ISO 228/1-G1		1 1/4"	1 1/4"
Steam pressure		kPa	400-1000	400-1000
Steam consumption		kg/h		
Condensate	ISO 228/1-G1		1 1/4"	1 1/4"
Air outlet		ø mm	315	315
Evacuated air, steam		m ³ /h	2300	2500
electric		m ³ /h	2300	2500
Pressure drop	Max. Pa		400	400
Compressed air	ø		8	8
Air pressure	kPa		400-1000	400-1000
Sound levels				
Airborne sound level		dB(A)	<70	<70
Heat emission				
% of installed power, max			15	15
Shipping data				
Heating unit, steam/electric	net, kg		67/62	67/62
Filter unit	net, kg		172	172
Machine	net, kg		447	686
Heating unit, steam/electric	crated, kg		77/72	77/72
Filter unit	crated, kg		226	226
Machine	crated, kg		453	503
Shipping volume, Heating unit	m ³		0.61	0.61
Shipping volume, Filter unit	m ³		2.57	2.57
	total, m ³		6.26	6.77
Accessories				
Prefilter			x	x
Dimensions in mm				
A	Width		1290	1290
B	Depth		2115	2305
C	Height		2690	2690
D	(with top removed)		1940	1940
E			805	805
F			3290	3480
G			220	220
H			230	230
I			1560	1560
K			85	85
L			2070	2070
M			390	390
N			800	800
1	Control panel			
2	Door opening ø 940			
3	Electrical connection			
4	Steam connection			
5	Condensate connection			
6	Exhaust connection			
7	Delivery height			

* Other voltages available see installation manual.



Thinking of you
Electrolux

www.electrolux.com/laundrysystems

Share more of our thinking at www.electrolux.com

Art. No. 438903461/01 08.46
 We reserve the right to alter specifications without notice.